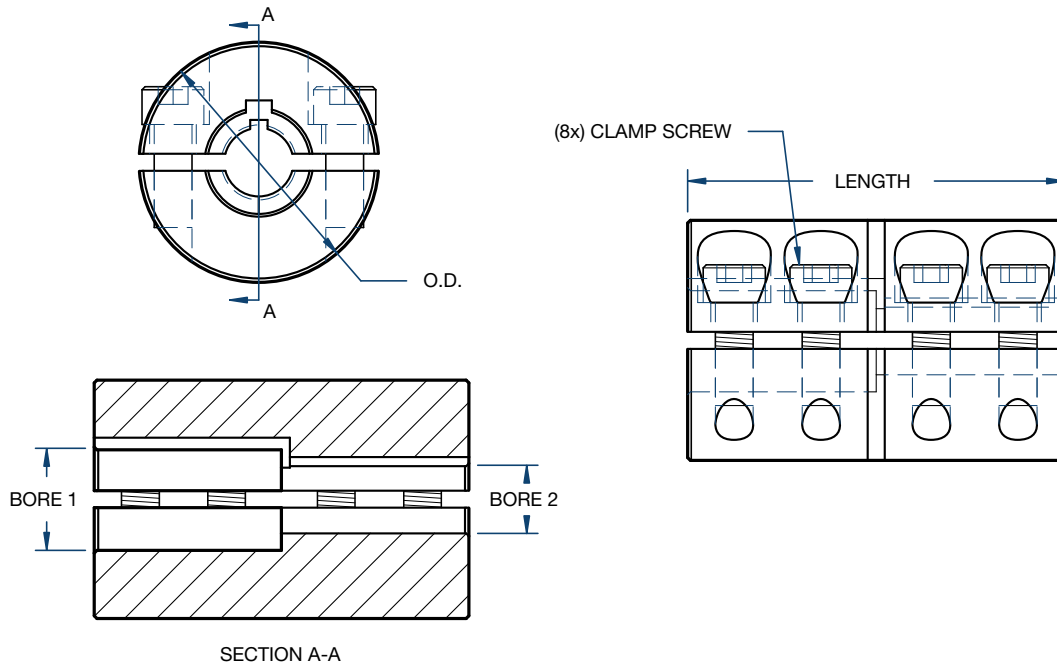


# Clamping Couplings



## DOUBLE SPLIT WITH KEYWAY



Part Number	Bore 1 Size	Bore 2 Size	O.D.	Length	Clamp Screw	Approx. Weight (lbs)
2CC-037-037-KW	3/8	3/8	7/8	1-3/8	6-32 x 3/8	0.16
2CC-050-037-KW	1/2	3/8	1-1/8	1-3/4	8-32 x 1/2	0.36
2CC-050-050-KW	1/2	1/2	1-1/8	1-3/4	8-32 x 1/2	0.36
2CC-062-050-KW	5/8	1/2	1-5/16	2	10-32 x 1/2	0.53
2CC-062-062-KW	5/8	5/8	1-5/16	2	10-32 x 1/2	0.53
2CC-075-050-KW	3/4	1/2	1-1/2	2-1/4	1/4-28 x 5/8	0.76
2CC-075-062-KW	3/4	5/8	1-1/2	2-1/4	1/4-28 x 5/8	0.76
2CC-075-075-KW	3/4	3/4	1-1/2	2-1/4	1/4-28 x 5/8	0.76
2CC-087-062-KW	7/8	5/8	1-5/8	2-1/2	1/4-28 x 5/8	0.96
2CC-087-087-KW	7/8	7/8	1-5/8	2-1/2	1/4-28 x 5/8	0.96
2CC-100-050-KW	1	1/2	1-3/4	3	1/4-28 x 5/8	1.48
2CC-100-075-KW	1	3/4	1-3/4	3	1/4-28 x 5/8	1.48
2CC-100-100-KW	1	1	1-3/4	3	1/4-28 x 5/8	1.48
2CC-112-100-KW	1-1/8	1	1-7/8	3-1/8	1/4-28 x 5/8	2.06
2CC-112-112-KW	1-1/8	1-1/8	1-7/8	3-1/8	1/4-28 x 5/8	2.06
2CC-125-100-KW	1-1/4	1	2-1/16	3-1/4	1/4-28 x 3/4	1.78
2CC-125-125-KW	1-1/4	1-1/4	2-1/16	3-1/4	1/4-28 x 3/4	1.78
2CC-137-100-KW	1-3/8	1	2-1/2	3-5/8	5/16-24 x 1	2.31
2CC-137-137-KW	1-3/8	1-3/8	2-1/2	3-5/8	5/16-24 x 1	2.31
2CC-150-100-KW	1-1/2	1	2-5/8	3-7/8	5/16-24 x 1	3.09
2CC-150-150-KW	1-1/2	1-1/2	2-5/8	3-7/8	5/16-24 x 1	3.09
2CC-175-175-KW	1-3/4	1-3/4	3-1/8	4-1/2	3/8-24 x 1	6.39
2CC-200-200-KW	2	2	3-3/8	4-7/8	3/8-24 x 1	6.69

**NOTE:** Keyseats follow ANSI B17.1 standards.